

Picket fence installation guide

Suitable for:
STPC model

1. Getting Started

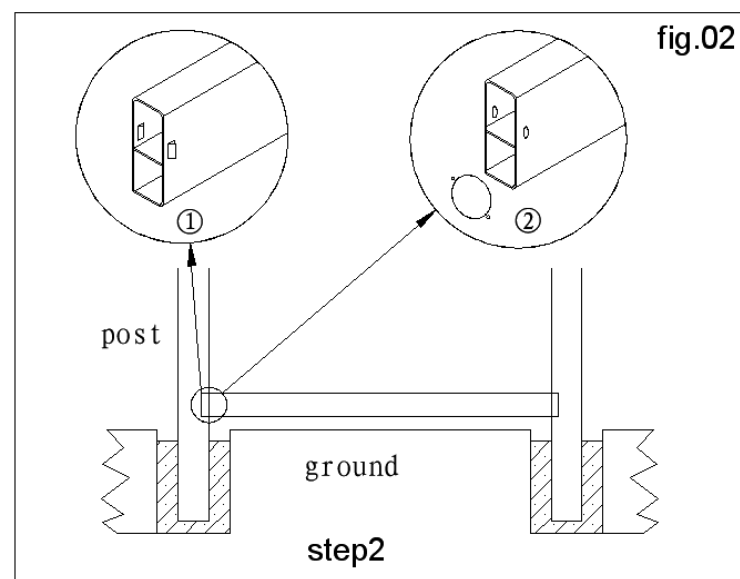
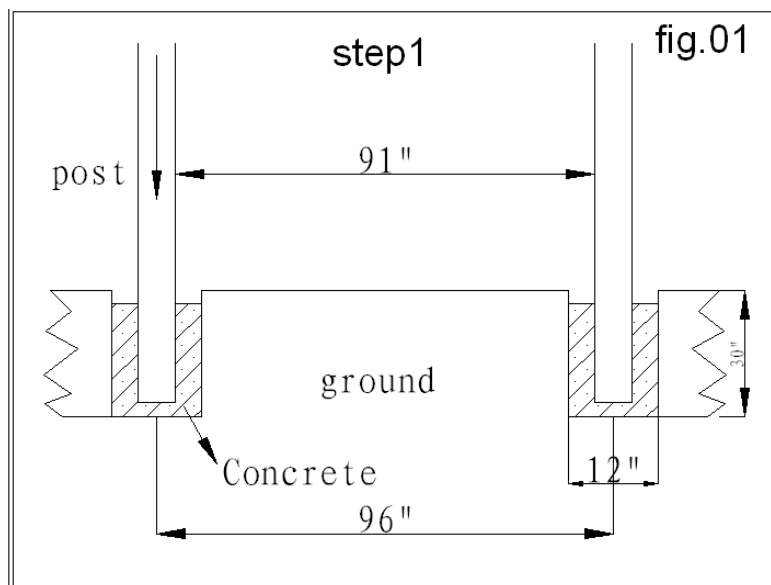
Be sure to call underground prior to digging
 Assemble gates (if necessary) and decide where they will be located
 Stake out the fence line
 Space and mark post hole locations for gate and sections (spacer bar/template may be useful)
 Start at gate end post and work outward to determine proper fence height relative to ground

2. Dig Holes

Dig holes 24" deep or to frost line
 - hole size for 5 x 5 posts = 12"
 Clean holes and check for straight walls

3. Install First Post

Insert posts in hole
 Determine rough height
 Fill hole around post with concrete mix (sand, gravel and cement) approximately 2" below grade
 Tamp concrete in hole to eliminate air pockets
 Level and square post. See fig.01



4. Install Bottom Rail

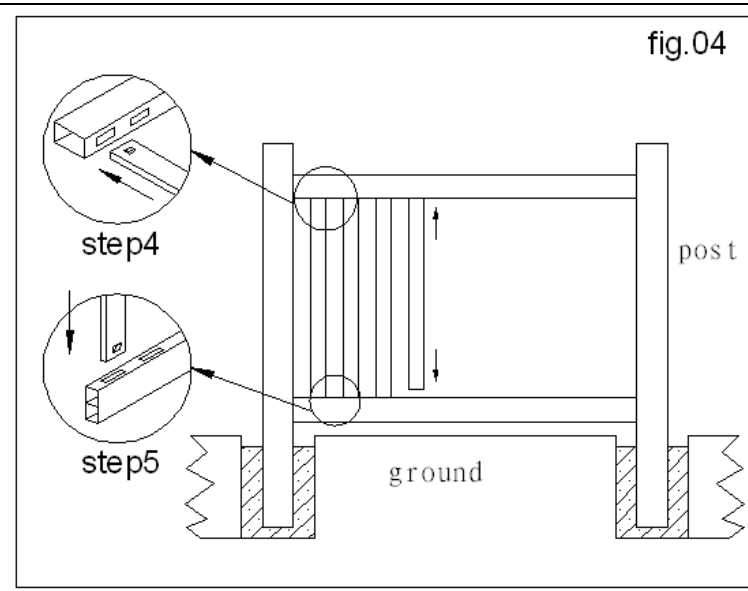
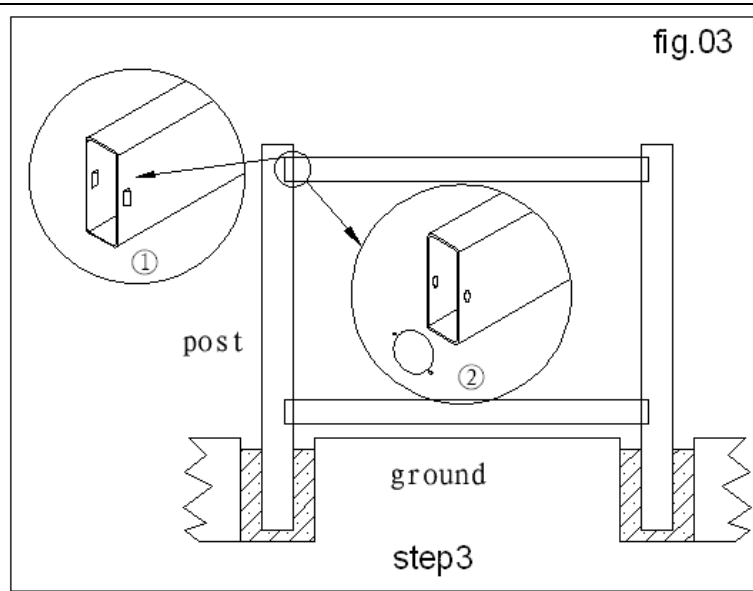
Tape the ends of any rail going into a post that is to be filled with concrete to prevent concrete, see fig.02.
 The following show two methods to hold the rail into post. Keep rail pickets holder hole upward.
 ① Notch the each end of rail with notching matching. When insert the rail into post, the notch will hold the rail without drawing back.
 ② Insert lock ring in both ends of bottom rail, depress lock ring tabs, insert bottom rail in post, Tabs will recoil to hold rail in post

5. Support and Secure

Level and square fence
 To lower a post, place a wood block from corner to corner of the post and carefully tap with a mallet
 Never strike the PVC post without a wood support

6. Install top rail

Insert top rail the same method as bottom rail.

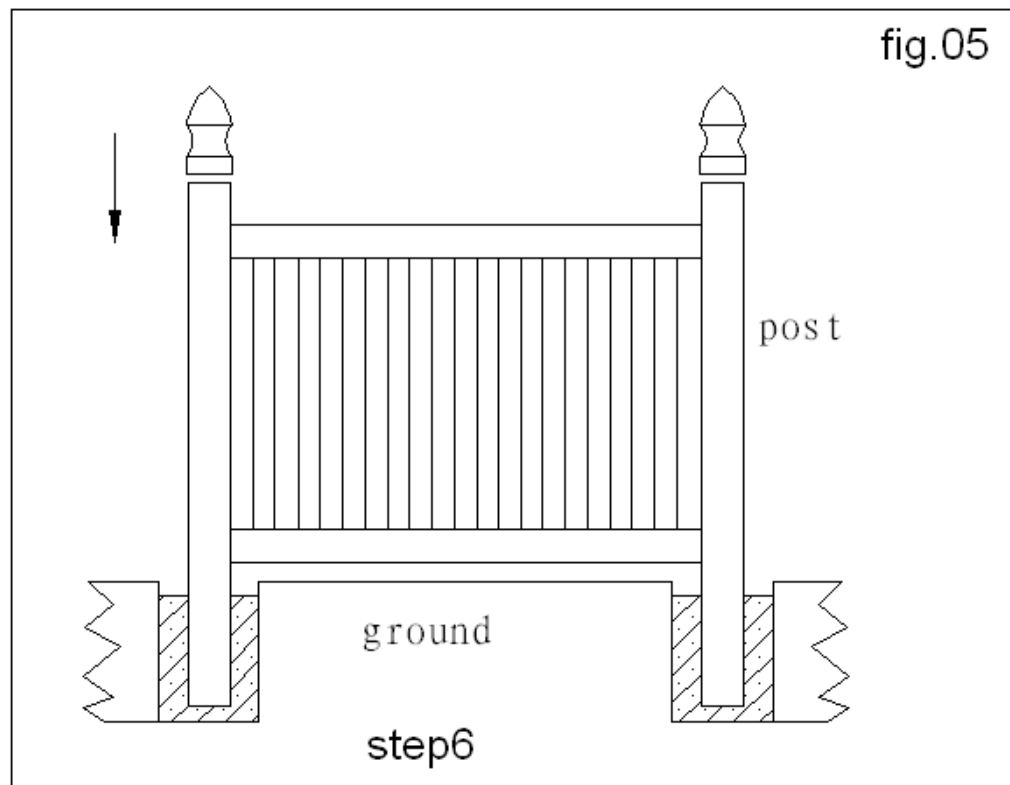


7. Install pickets

Insert pickets from top though top rail and into bottom rail. Until The notched end will keep the picket drawback. See fig.04

8. Install Caps

Install post caps,Caps may be secured with glue, silicone adhesive or #8 x 3/4" screws. See fig.06



9. Hang Gate/Install Hardware

- For complete details, see gate installation instructions in hardware box
- Position gates between posts
- Allow 1" gap for hinge and 3/4" for latch and gate swing
- Block up gate to square with fence; rails should be level
- Gate hardware must be mounted to two sides of the post

10. Solidify Gate Posts

It is critical that gate hinge and latch posts are solid to ensure proper gate functionality. Two methods are available:

A. Galvanized steel tube insert.

- use 2mm(0.79inch) thickness steel tube, which is zinc galvanized to prevent rusting.
- the post have already left screw holes for hinge and latch before out of factory.
- Dive screws into vinyl post to steel tube screw hole to install gate.
- Fill hole with concrete around outside of post

B. Aluminum bar insert.

- Slide aluminum bar insert inside hinge, latch or end posts with open end facing routed hole
- Drive a screw through the vinyl into the aluminum bar insert at the bottom of the post to hold in place
- Insert post into ground
- Fill hole with concrete around outside of post

See fig.06

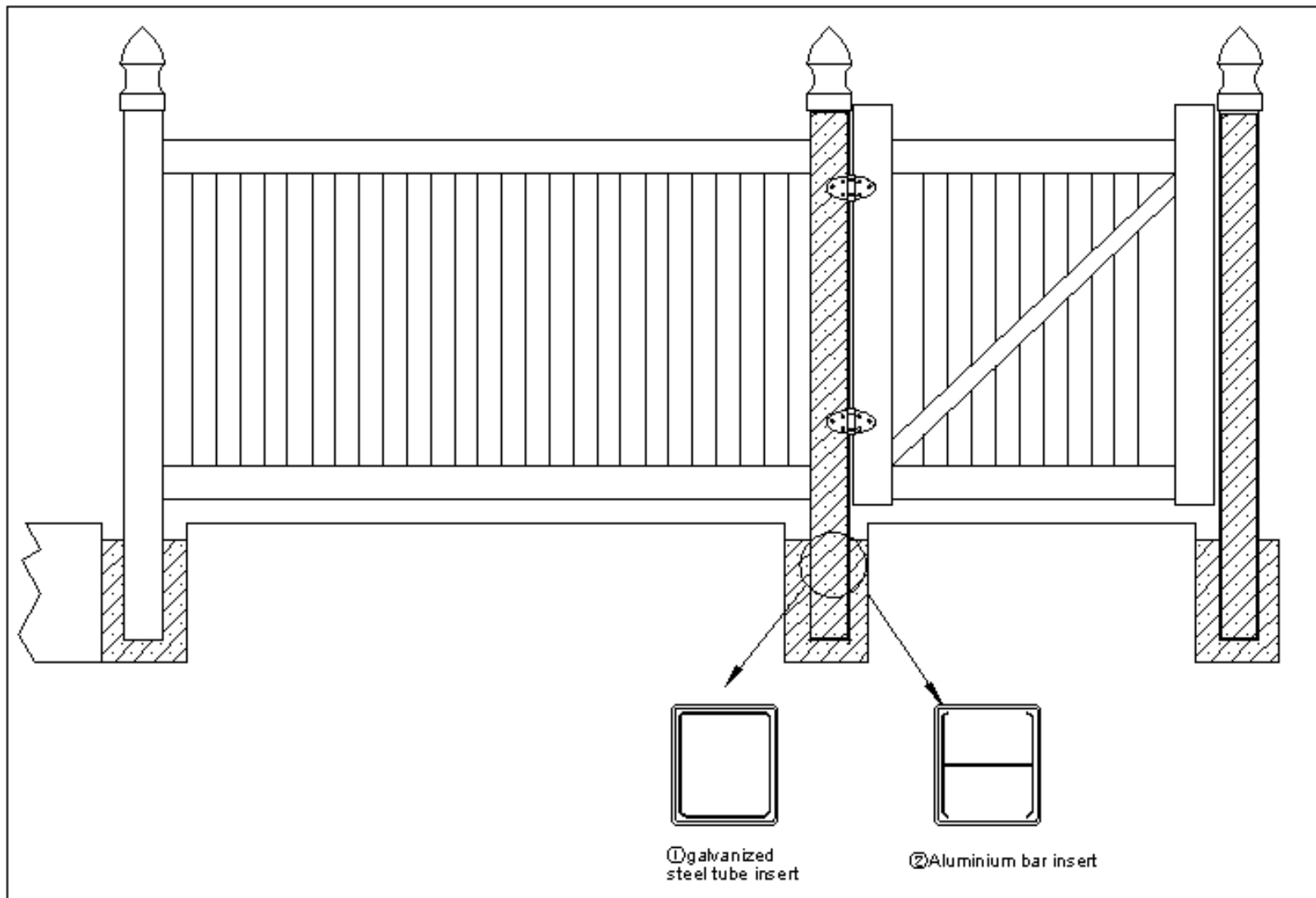


Fig.06